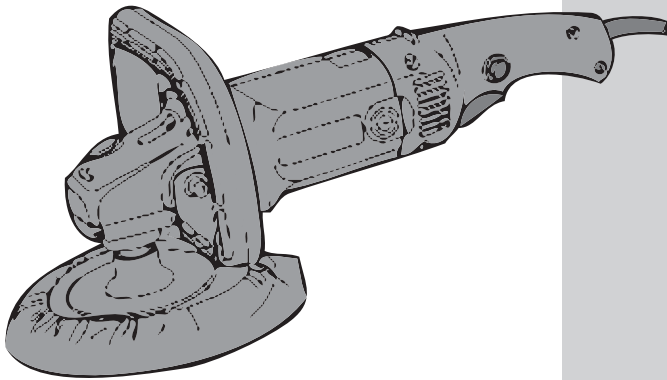


Polisher 8600

4CR



Instruction Manual

Caution: before operating the tool, please read carefully all the instructions and save it for further reference.

WARNING! WHEN USING ELECTRIC TOOLS, ALL THE SAFETY INSTRUCTIONS SHOULD ALWAYS BE OBSERVED TO REDUCE THE RISK OF FIRE, ELECTRIC SHOCK AND PERSONAL INJURY BEFORE ATTEMPTING TO OPERATE THE TOOL, PLEASE READ ALL THE INSTRUCTIONS AND SAVE IT FOR FURTHER REFERENCE.

BASIC SAFETY PRECAUTIONS FOR ALL ELECTRIC TOOLS

1. Keep work area clean

---Cluttered area and benches invite injuries.

2. Consider work area environment

---Don't use electric tools in damp or wet locations. Don't expose electric tools to rain. Keep work area well-lit. In particular, no inflammable liquids or gases must be present.

3. Avoid electric shock

---When you are operating tools, don't touch metal being grounded, such as pipe, radiator, freezer, etc.

4. Keep children and visitors away

---Don't let children contact tool or extension cord. All visitors should be kept away from work place.

5. Store idle tool

---When not in use, tools should be stored in dry, high, or locked-up place.

6. Don't force tool

---It will do the job better and safer at the rate for which it was intended, Avoid unnecessary overload which may put the operator at risk and impair functions of the tools.

7. Use right tool

---Don't force small tools and attachment to do the job of a heavy duty tool. Don't use tools for purpose not intended, for example, don't use electric circular saw for cutting logs or tree limbs.

8. Dress properly

---Don't wear loose clothes or jewelry. They can be caught in moving parts. Rubber gloves and non-skid footwear are recommended when working outdoors. Wear protective hair covering to contain long hair.

9. Use safety goggles

---Always wear safety goggles. If dust is produced, use the special masks.

10. Don't abuse cables

---Never carry tool by cable or yank it to disconnect it from socket. Keep cable from heat, oil and sharp edges.

11. Don't overreach

---Keep proper footing and balance at all times.

12. Maintain tools with care

---Keep tools sharp and clean for better and safer performance. Follow instructions for lubricating and changing accessories. Inspect tool cords periodically and replace if damaged. Keep handles dry, clean and free from oil and grease.

13. Disconnect tools

---When not in use, before servicing, and when changing accessories such as blades, bits and cutters.

14. Remove adjusting keys and wrenches

---From the habit of checking to see that keys and adjusting wrenches are removed from tool before turning it on.

15. Avoid unintentional starting

---Don't carry plugged-in tool with finger on switch. Make sure switch is off when connecting the plug to the socket.

16. Use extension cord

---If an extension cord is required, always check that its cross-section measurement is equal to or greater than that of the tool capabilities and so marked.

17. Stay alert

---Watch what you are doing. Use common sense. Do not operate tool when you are tired.

18. Check damaged parts

---Before further use of the tool, a guard or other parts that is damaged should be carefully checked to determine that it will operate properly and perform its intended function. Check for alignment of moving parts, binding of moving parts, breakage of parts, mounting and any other condition that may affect its operations. A guard or other part that is damaged should be properly repaired or replaced by a qualified service center unless otherwise indicated elsewhere in the instruction manual. Have defective switches replaced by a qualified service center. Do not use tool if switch does not turn on and off.

19. Check the voltage

---Do not plug the electric tool into the mains until you have checked that the voltage shown on the data plate corresponds to the voltage available.

20. Replace parts

---The use of improper accessory or attachment other than recommended present a risk of personal injuries.

21. Have your tool repaired by an expert

---This electric tool is in accordance with the relevant safety regulations. Repairing of electric tool may be carried out only by expert. Otherwise, it may cause considerable danger of the user.

POLISHER FUNCTIONS

The polisher is designed for polishing car lacquer; however it maybe used for all kinds of polishing. Using accessories obtained in professional shops, the appliance may also be used for grinding.

ADDITIONAL SAFETY REGULATIONS

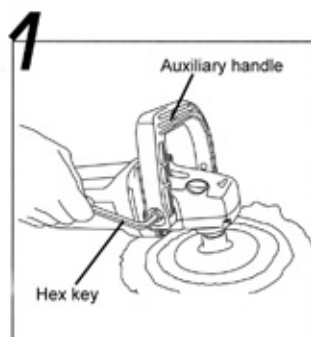
The following listed points are the safety regulation for polisher. Please read and must obey, otherwise the tools could be damaged and cause injury to user.

1. Switch the appliance on/off only when the polishing disc is touching the surface to be polished.
2. Do not apply pressure on the appliance.
3. When operating the polisher, wear a dust mask, ear protectors and protecting glasses at all times.
4. Do not eat, drink or smoke when operating the polisher
5. Do not use too large quantities of polishing agents. Excessive quantity of a polishing agent may cause the polishing pad skid off the disc,
6. When operating the polisher, hold it always in both hands. (The handle must be fastened)
7. If needed, fasten the polished object.
8. To replace (install, remove) the accessories, the spindle lock must be pressed slightly.
When doing that, the power cord must be unplugged and the appliance must be switched off.
9. The accessories used must be suitable for 3000min^{-1} .
10. Follow the instructions of the polishing agent or manufacturer.

OPERATION REGULATIONS

1) Installing the auxiliary handle

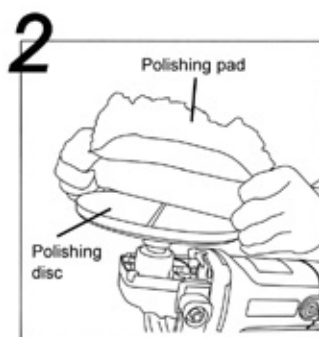
The handle may be fixed using the screw and hex key supplied (Figure 1.)



2) Fixing the polishing pad

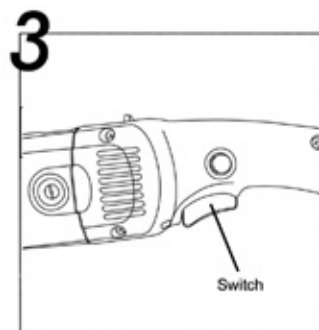
Together with the appliance, one polishing disc and one soft polishing pad are supplied. The disc is designed for keeping the polishing pad. Some of polisher is supplied with a rough polishing pad.

- ❖ When storing the appliance, place the polishing disc upwards.
- ❖ Fit the suitable polishing pad on the polishing disc. The polishing pad must be stretched properly and evenly on the disc. (Figure 2.)



3) Switching the polisher ON/OFF

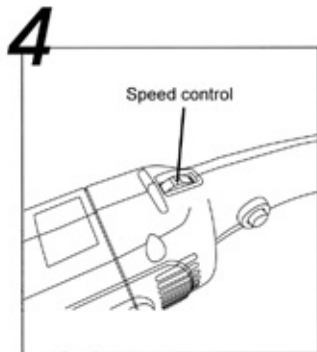
To switching the polisher ON, you must press switch button. Some of polishers are installed with safety switch. To switching the polisher OFF, release one or both switch button.(Figure 3.)



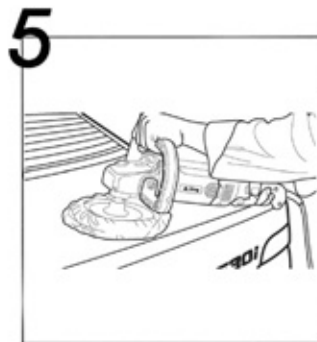
4) Speed control

Using the speed control, set suitable rotation speed before you starting the polishing job.

For polishing lacquered surface, lower rotation speed should be set. **(Figure 4.)**

**5) Polishing**

- ✧ Use the rough polishing pad.
- ✧ Stretch the polishing pad evenly onto the polishing disc
- ✧ Attach the polishing pad on the surface to be polished on the car and switch the polisher on.
- ✧ Move the polisher evenly on the polished surface.
Do not apply pressure.
- ✧ Always, before putting it away from the polished surface, switch the polisher off.
- ✧ After treating the whole of the car body surface, remove the rough polishing pad from the polishing disc and use the soft polishing pad.
- ✧ Polishing the car until you achieve bright luster. **(Figure 5.)**

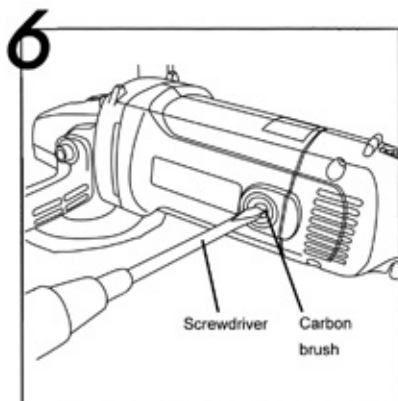


SERVICE AND MAINTENANCE

- 1) Always disconnect the tool before carrying out inspection or cleaning. Never use water or other liquids to clean the tool. Clean the tool by brushing it with a brush.
- 2) The air-vent of the tool should be cleaned regularly to avoid the motor too hot due to air-vent blocked.
- 3) Always check if the components of the tool are fixed well.
- 4) The housing should be without trace of crack or damage.
- 5) Always check if the cable is without damage

◆ REPLACING THE CARBON BRUSHES

- a) Replacing the carbon brushes, when the tool couldn't run or too much sparkle.
- b) Carbon brushes which are worn out (burned, broken or shorter than 5mm) have to be replaced by new ones.
- c) Always replace both carbon brushes at the same time and use the brush by original manufacturer..
- d) Turn the brush holder caps loose by screw driver (black caps which can be found on the side of the tool) (**Figure 6.**)
- e) Take the worn brushes out of the holder and remove possible dust deposit with compressed air.
- f) Place the new carbon brushes in the reverse order.
- g) The brushes have to fall in the holders easily.
- h) After placing the new carbon brushes, let the tool run for some minutes so that the brushes fit better.



WARRANTEE

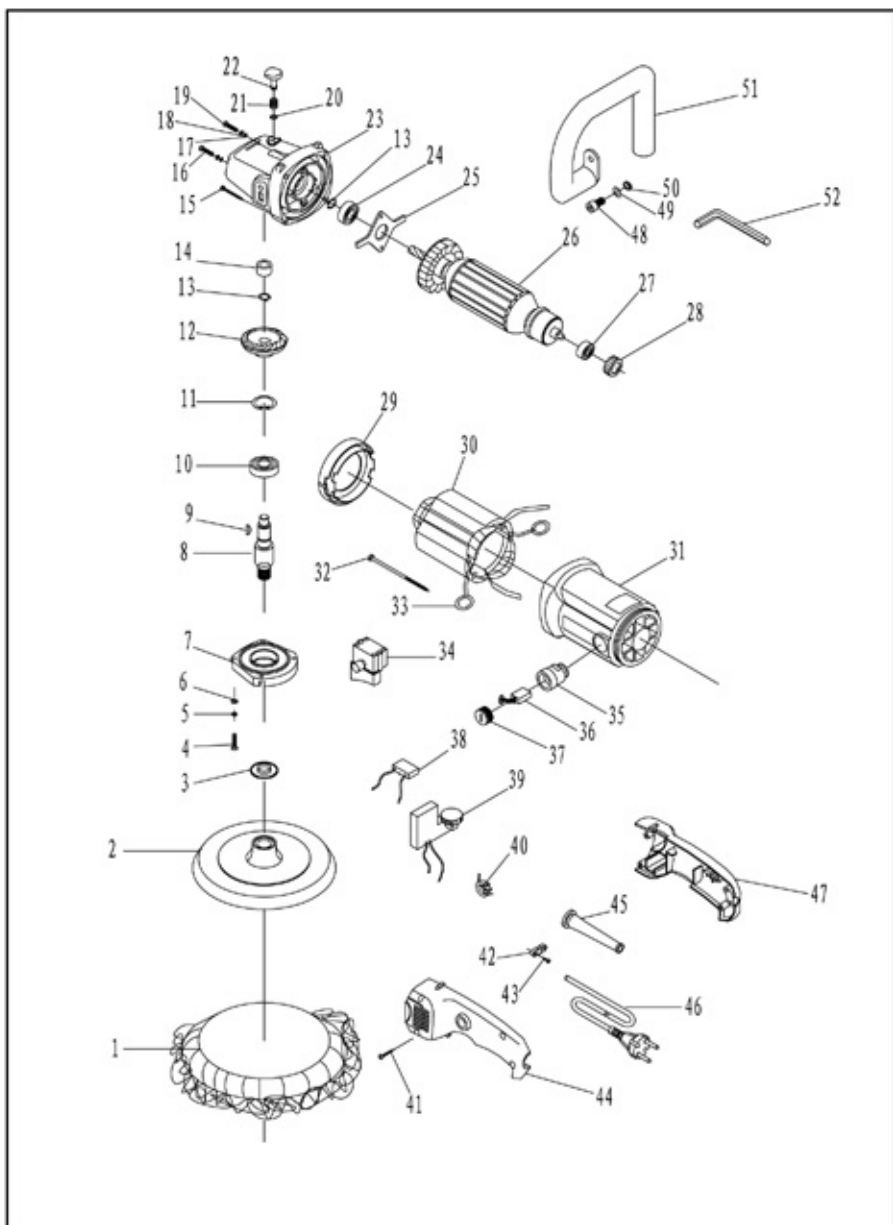
- ◆ All the tools we produce are with the guarantee by our company.
- ◆ Damages that are attributable to improper handling, overloading, or natural wear and tear are excluded from the guarantee.
- ◆ The prerequisite is that the tool is handed over assembled, and completed with the proof of sale and guarantee. Don't disassemble the tool.
- ◆ For guarantee claim, only use the original packaging.

REPAIRS

Please only use accessories and spare parts recommended by the manufacturer. If the tool get malfunction, please hand over the tool to our dealer or appointed maintenance station. Don't disassemble the tool by yourself or replace the parts supplied by other factories.

TECHNICAL SPECIFICATION

Model No.	AT3502		
Disc diameter	180mm		
Voltage	220V/230V		
Frequency	50Hz/60Hz		
Rated power	1200W		
Current when loading	5.8A		
No-load speed	660-3000RPM		
Weight	3.7 kg		
Standard accessories	Auxiliary handle	1pc	
	Polishing disc	1pc	
	Polishing pad	1pc	
	Screw and washer for handle	2pcs	
	Hex key	1pc	
	Carbon brush	1pair	
	Instruction manual	1pc	
	Guarantee card	1pc	



Spare Part List



PART NO.	DESCRIPTION	QTY	PART NO.	DESCRIPTION	QTY
1	Polishing pad	1	27	Bearing 608-2Z	1
2	Polishing disc	1	28	Bearing sleeve	1
3	dust cover	1	29	Wind guard	1
4	Screw M4×14	4	30	Stator assy	1
5	Spring washer 4	4	31	Housing	1
6	Flat washer 4	4	32	Screw ST4.2×56F	2
7	Front cover	1	33	Electrical ring	2
8	Spindle lock	1	34	Switch	1
9	Key 4×13	1	35	Brush holder	2
10	Bearing 6002-2Z	1	36	Carbon brush	2
11	Circlip32	1	37	Brush cover	2
12	Wheel Gear	1	38	Capacitor 0.33μF	1
13	Circlip 12	2	39	Electronics	1
14	Needle bearing HK081210	1	40	Inductance	2
15	Screw ST4.8×35F	4	41	Screw ST4.2×18	4
16	Screw M5×12	1	42	Cord clamp	1
17	Flat washer 5	2	43	Screw ST4.2×16	2
18	Circlip 5	2	44	Left rear cover	1
19	Screw M5×16	1	45	Cord protector	1
20	Circlip 7	1	46	Cord and plug	1
21	Lock pin	1	47	Right rear cover	1
22	Spindle Lock	1	48	Hex screw M8×20	2
23	Gear box	1	49	Spring washer 8	2
24	Bearing 6201-2Z	1	50	Flat washer 8	2
25	Bearing cover	1	51	Auxiliary handle	1
26	Rotor assy	1	52	Hex key S6	1

4CR GmbH
Dieselstraße 10-12
D-25813 Husum
Germany
Tel.: +49 (0) 4841 - 99028
Fax: +49 (0) 4841 - 99029
Info@4CR.de
www.4CR.de

...the professional choice.